

SR MODULE

SR-140P6 SR-135P6
 SR-130P6 SR-125P6
 SR-120P6



STRENGTHS

- Tolerance $\pm 1.5\%$
- Plug & Play Connectors
- High Transmission, Low Iron Tempered Glass
- Bypass Diodes Protection

WARRANTY

- Manufacturing: 5 years
- Power production: 90%: 10years
80%: 25years

CERTIFICATIONS



SPECIFICATIONS

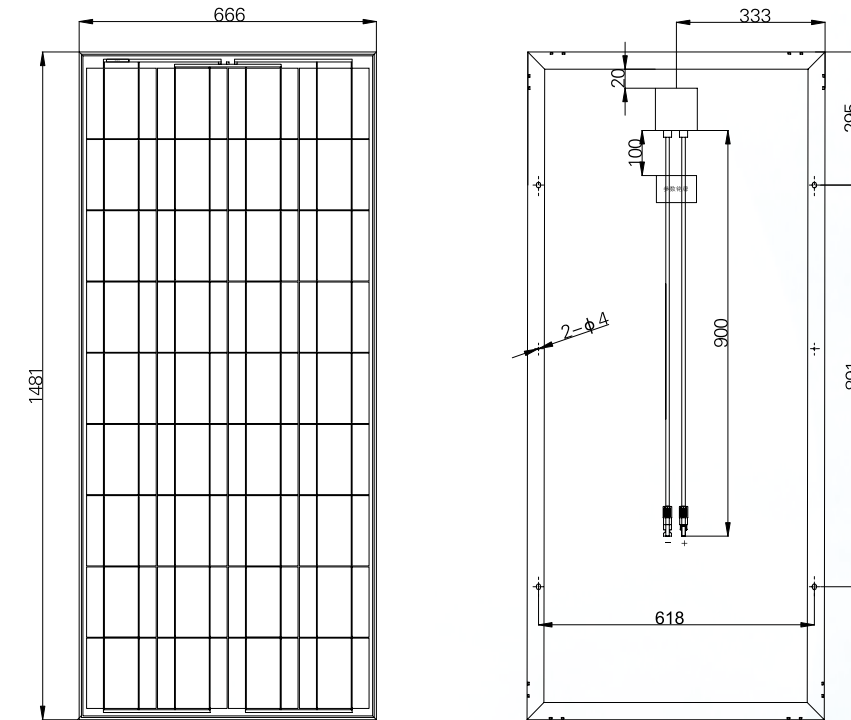
Module Type		SR-140P6	SR-135P6	SR-130P6	SR-125P6	SR-120P6
		140W	135W	130W	125W	120W
Maximum Power	Pm(W)	144.9	139.9	134.9	129.9	124.9
Tolerance	(%)	± 1.5	± 1.5	± 1.5	± 1.5	± 1.5
Open Circuit Voltage	Voc(V)	22.03	21.85	21.60	21.56	21.53
Short Circuit Current	Isc(A)	8.23	8.10	7.83	7.60	7.35
Maximum Power Voltage	Vm(V)	18.36	18.22	17.96	17.78	17.57
Maximum Power Current	Im(A)	7.63	7.41	7.24	7.03	6.83
Module Efficiency	(%)	14.29	13.78	13.27	12.76	12.25
Solar Cell Efficiency	(%)	16.12	15.62	14.87	14.37	13.75
Cell Type	(mm)	156×156 (Poly-Crystalline Silicon)				
Number of Cells	(Pcs)	36				
Maximum System Voltage	(V)	DC1000				
Temp. Coeff. of Voc	(%/°C)	-0.32				
Temp. Coeff. of Isc	(%/°C)	0.04				
Temp. Coeff. of Pm	(%/°C)	-0.35				
Operating Temperature	(°C)	-40 to 85				
Nominal Operating Cell Temperature(NOCT)	(°C)	45±2				
Max.Series Fuse	(A)	15				
Insulation	(MΩ)	50				
Wind Bearing	(Pa)	≤5400				
Pressure Bearing	(Pa)	≤2400				

STC(Standard Test Conditions): 1000W/m² AM=1.5 25°C

SR MODULE

SR-140P6 SR-135P6 SR-130P6 SR-125P6 SR-120P6

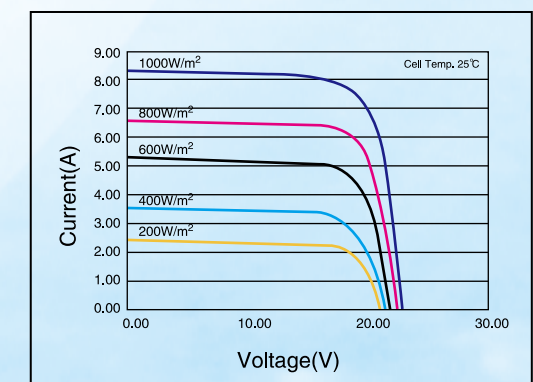
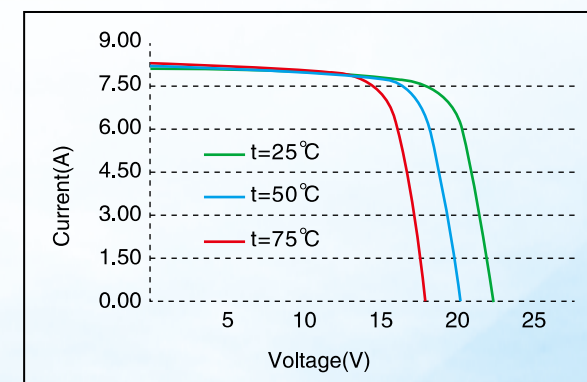
PHYSICAL CHARACTERISTICS Unit:mm



Dimensions	(mm)	1481×666×48
Weight	(kg)	12.8

Packing Configuration	2 pcs/carton
Quantity/Pallet	36 pcs/pallet
Loading Capacity	360 pcs/20ft container
	756 pcs/40ft container

ELECTRICAL CHARACTERISTICS



SR MODULE

SR-185P6 SR-180P6
 SR-175P6 SR-170P6
 SR-165P6 SR-160P6
 SR-155P6



STRENGTHS

- Tolerance $\pm 1.5\%$
- Plug & Play Connectors
- High Transmission, Low Iron Tempered Glass
- Bypass Diodes Protection

WARRANTY

- Manufacturing: 5 years
- Power production: 90%: 10years
80%: 25years

CERTIFICATIONS



SPECIFICATIONS

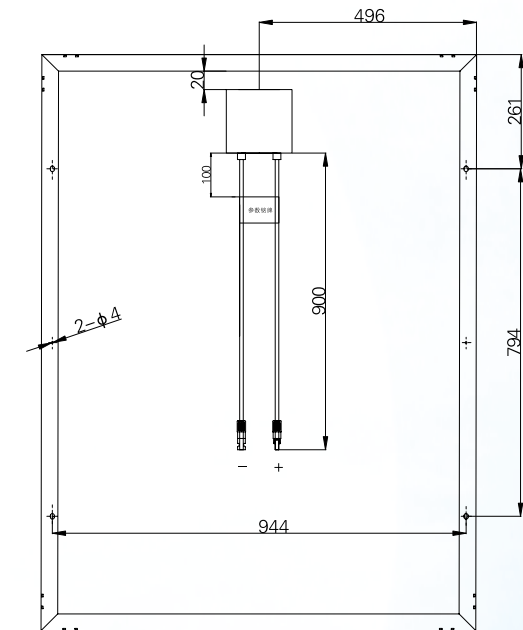
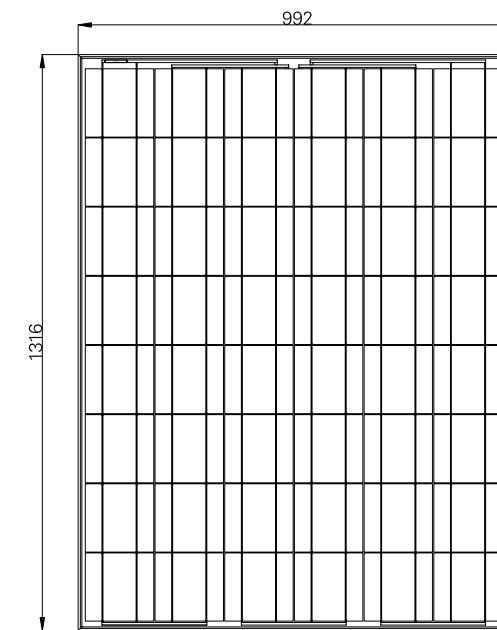
Module Type		SR-185P6	SR-180P6	SR-175P6	SR-170P6	SR-165P6	SR-160P6	SR-155P6
		185W	180W	175W	170W	165W	160W	155W
Maximum Power	Pm(W)	189.9	184.9	179.9	174.9	169.9	164.9	159.9
Tolerance	(%)	± 1.5	± 1.5	± 1.5	± 1.5	± 1.5	± 1.5	± 1.5
Open Circuit Voltage	Voc(V)	29.38	29.14	28.85	28.80	28.75	28.70	28.70
Short Circuit Current	Isc(A)	8.23	8.10	7.95	7.72	7.47	7.35	7.24
Maximum Power Voltage	Vm(V)	24.48	24.29	24.10	23.80	23.66	23.42	22.94
Maximum Power Current	Im(A)	7.56	7.41	7.26	7.14	6.97	6.83	6.76
Module Efficiency	(%)	14.13	13.75	13.36	12.98	12.60	12.22	11.84
Solar Cell Efficiency	(%)	16.12	15.62	15.12	14.62	14.12	13.75	13.25
Cell Type	(mm)	156×156 (Poly-Crystalline Silicon)						
Number of Cells	(Pcs)	48						
Maximum System Voltage	(V)	DC1000						
Temp. Coeff. of Voc	(%/°C)	-0.32						
Temp. Coeff. of Isc	(%/°C)	0.04						
Temp. Coeff. of Pm	(%/°C)	-0.35						
Operating Temperature	(°C)	-40 to 85						
Nominal Operating Cell Temperature(NOCT)	(°C)	45±2						
Max.Series Fuse	(A)	15						
Insulation	(MΩ)	50						
Wind Bearing	(Pa)	≤ 5400						
Pressure Bearing	(Pa)	≤ 2400						

STC(Standard Test Conditions): 1000W/m² AM=1.5 25°C

SR MODULE

SR-185P6 SR-180P6 SR-175P6 SR-170P6 SR-165P6 SR-160P6 SR-155P6

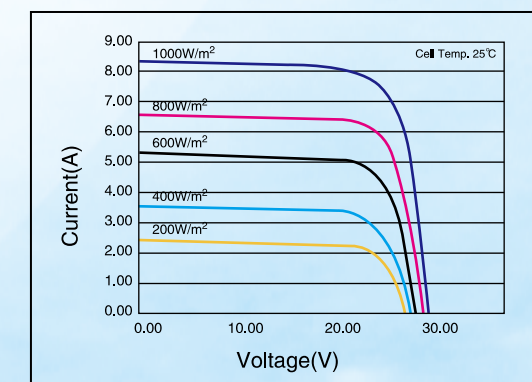
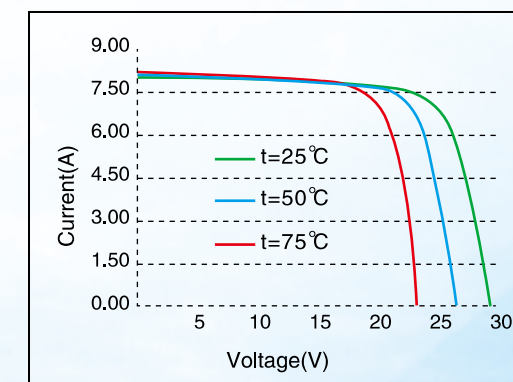
PHYSICAL CHARACTERISTICS Unit:mm



Dimensions	(mm)	1316×992×48
Weight	(kg)	15.6

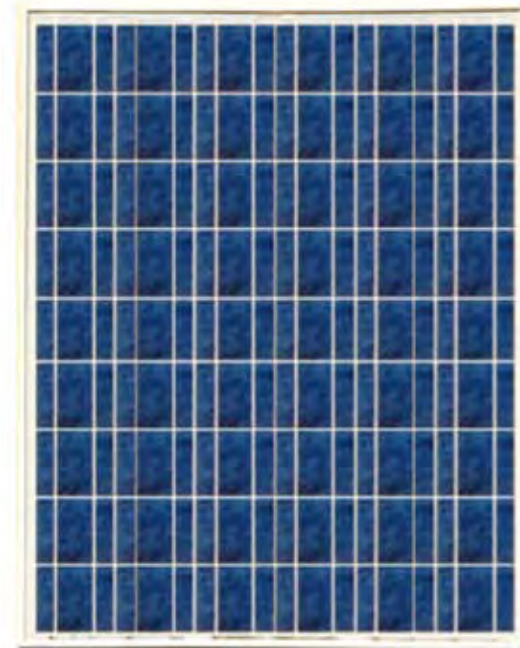
Packing Configuration	2 pcs/carton
Quantity/Pallet	36 pcs/pallet
Loading Capacity	288 pcs/20ft container
	576 pcs/40ft container

ELECTRICAL CHARACTERISTICS



SR MODULE

SR-210P6 SR-205P6
 SR-200P6 SR-195P6
 SR-190P6 SR-185P6



STRENGTHS

- Tolerance $\pm 1.5\%$
- Plug & Play Connectors
- High Transmission, Low Iron Tempered Glass
- Bypass Diodes Protection

WARRANTY

- Manufacturing: 5 years
- Power production: 90%: 10years
80%: 25years

CERTIFICATIONS



SPECIFICATIONS

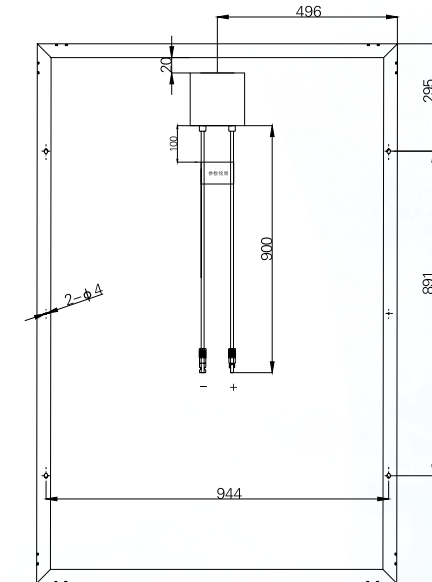
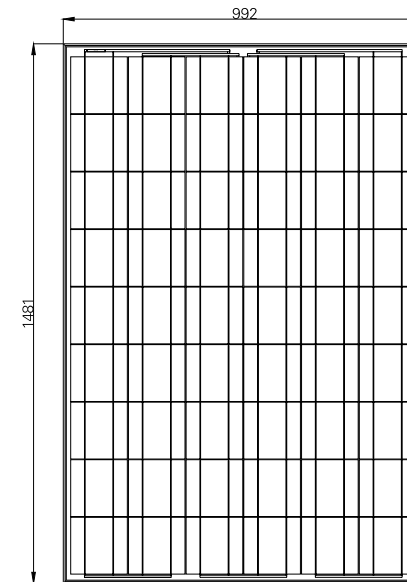
Module Type		SR-210P6	SR-205P6	SR-200P6	SR-195P6	SR-190P6	SR-185P6
		210W	205W	200W	195W	190W	185W
Maximum Power	Pm(W)	214.9	209.9	204.9	199.9	194.9	189.9
Tolerance	(%)	± 1.5	± 1.5	± 1.5	± 1.5	± 1.5	± 1.5
Open Circuit Voltage	Voc(V)	33.05	32.78	32.62	32.40	32.40	32.35
Short Circuit Current	Isc(A)	8.23	8.10	8.04	7.83	7.72	7.47
Maximum Power Voltage	Vm(V)	27.54	27.32	27.22	26.95	26.78	26.62
Maximum Power Current	Im(A)	7.63	7.50	7.35	7.24	7.09	6.95
Module Efficiency	(%)	14.23	13.89	13.55	13.22	12.88	12.54
Solar Cell Efficiency	(%)	16.12	15.62	15.37	14.87	14.62	14.12
Cell Type	(mm)	156×156 (Poly-Crystalline Silicon)					
Number of Cells	(Pcs)	54					
Maximum System Voltage	(V)	DC1000					
Temp. Coeff. of Voc	(%/°C)	-0.32					
Temp. Coeff. of Isc	(%/°C)	0.04					
Temp. Coeff. of Pm	(%/°C)	-0.35					
Operating Temperature	(°C)	-40 to 85					
Nominal Operating Cell Temperature(NOCT)	(°C)	45±2					
Max.Series Fuse	(A)	15					
Insulation	(MΩ)	50					
Wind Bearing	(Pa)	≤5400					
Pressure Bearing	(Pa)	≤2400					

STC(Standard Test Conditions): 1000W/m² AM=1.5 25°C

SR MODULE

SR-210P6 SR-205P6 SR-200P6 SR-195P6 SR-190P6 SR-185P6

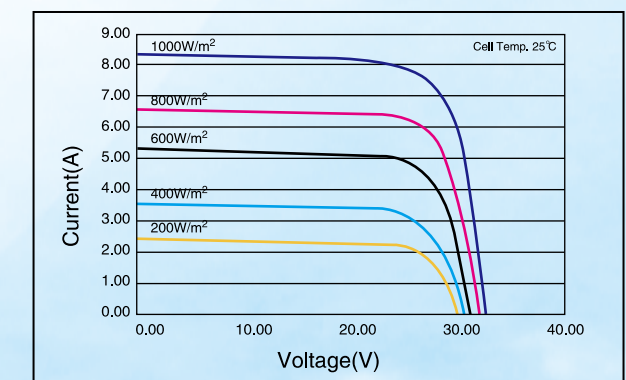
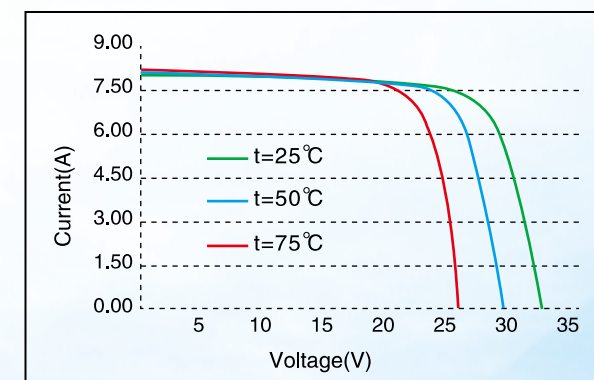
PHYSICAL CHARACTERISTICS Unit:mm



Dimensions	(mm)	1481×992×48
Weight	(kg)	17.7

Packing Configuration	2 pcs/carton
Quantity/Pallet	36 pcs/pallet
Loading Capacity	252 pcs/20ft container
	504 pcs/40ft container

ELECTRICAL CHARACTERISTICS



SR MODULE

SR-235P6 SR-230P6
 SR-225P6 SR-220P6
 SR-215P6 SR-210P6
 SR-205P6 SR-200P6



STRENGTHS

- Tolerance $\pm 1.5\%$
- Plug & Play Connectors
- High Transmission, Low Iron Tempered Glass
- Bypass Diodes Protection

WARRANTY

- Manufacturing: 5 years
- Power production: 90%: 10years
80%: 25years

CERTIFICATIONS



SPECIFICATIONS

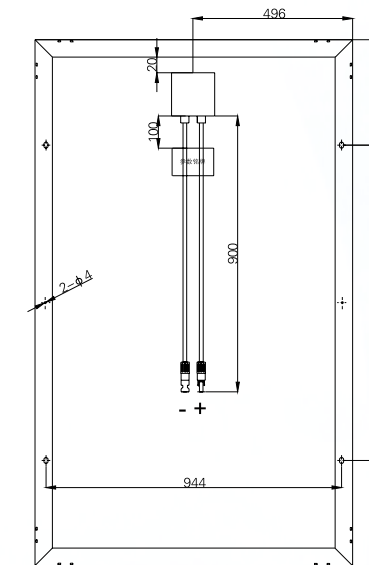
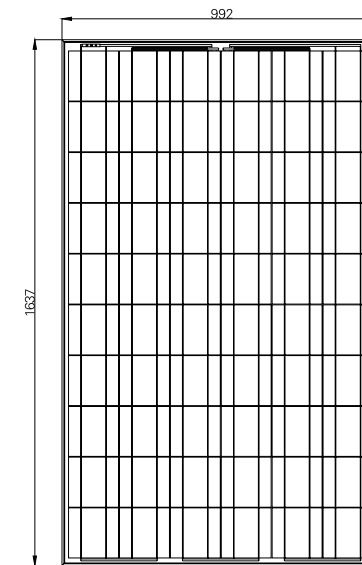
Module Type		SR-235P6	SR-230P6	SR-225P6	SR-220P6	SR-215P6	SR-210P6	SR-205P6	SR-200P6
		235W	230W	225W	220W	215W	210W	205W	200W
Maximum Power	Pm(W)	239.9	234.9	229.9	224.9	219.9	214.9	209.9	204.9
Tolerance	(%)	± 1.5	± 1.5	± 1.5	± 1.5	± 1.5	± 1.5	± 1.5	± 1.5
Open Circuit Voltage	Voc(V)	36.72	36.60	36.42	36.06	36.00	35.94	35.94	35.88
Short Circuit Current	Isc(A)	8.23	8.17	8.10	7.95	7.83	7.60	7.47	7.35
Maximum Power Voltage	Vm(V)	30.60	30.48	30.36	30.12	29.94	29.64	29.58	29.28
Maximum Power Current	Im(A)	7.68	7.55	7.41	7.30	7.18	7.09	6.93	6.83
Module Efficiency	(%)	14.35	14.04	13.74	13.43	13.13	12.82	12.52	12.21
Solar Cell Efficiency	(%)	16.12	15.87	15.62	15.12	14.87	14.37	14.12	13.75
Cell Type	(mm)	156×156 (Poly-Crystalline Silicon)							
Number of Cells	(Pcs)	60							
Maximum System Voltage	(V)	DC1000							
Temp. Coeff. of Voc	(%/°C)	-0.32							
Temp. Coeff. of Isc	(%/°C)	0.04							
Temp. Coeff. of Pm	(%/°C)	-0.35							
Operating Temperature	(°C)	-40 to 85							
Nominal Operating Cell Temperature(NOCT)	(°C)	45±2							
Max.Series Fuse	(A)	15							
Insulation	(MΩ)	50							
Wind Bearing	(Pa)	≤5400							
Pressure Bearing	(Pa)	≤2400							

STC(Standard Test Conditions): 1000W/m² AM=1.5 25°C

SR MODULE

SR-235P6 SR-230P6 SR-225P6 SR-220P6 SR-215P6 SR-210P6 SR-205P6 SR-200P6

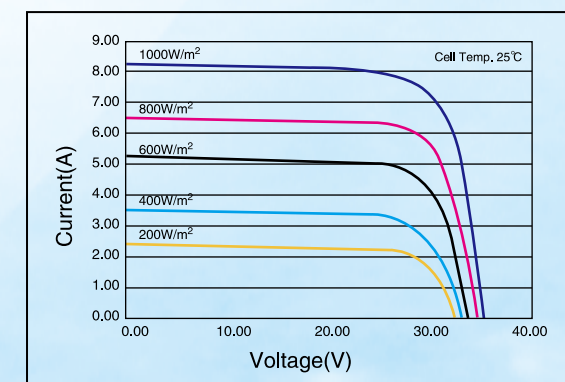
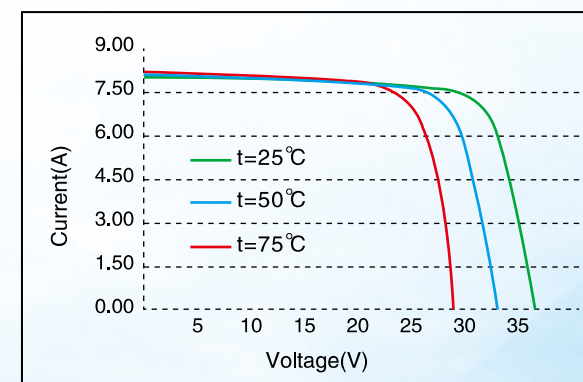
PHYSICAL CHARACTERISTICS Unit:mm



Dimensions	(mm)	1637×992×48
Weight	(kg)	20

Packing Configuration	2 pcs/carton
Quantity/Pallet	36 pcs/pallet
Loading Capacity	216 pcs/20ft container
	468 pcs/40ft container

ELECTRICAL CHARACTERISTICS



SR MODULE

SR-285P6 SR-280P6
 SR-275P6 SR-270P6
 SR-265P6 SR-260P6
 SR-255P6 SR-250P6



STRENGTHS

- Tolerance $\pm 1.5\%$
- Plug & Play Connectors
- High Transmission, Low Iron Tempered Glass
- Bypass Diodes Protection

WARRANTY

- Manufacturing: 5 years
- Power production: 90%: 10years
80%: 25years

CERTIFICATIONS



SPECIFICATIONS

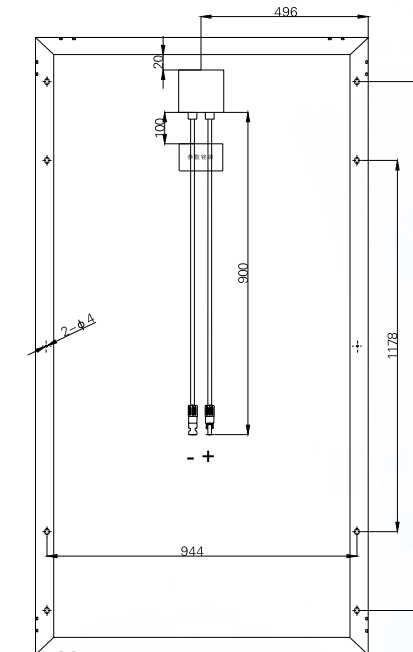
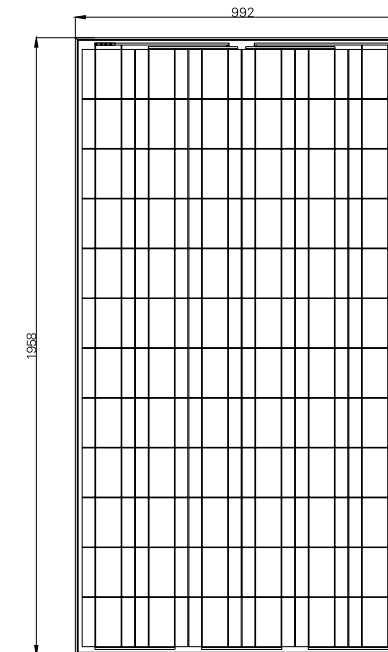
Module Type		SR-285P6	SR-280P6	SR-275P6	SR-270P6	SR-265P6	SR-260P6	SR-255P6	SR-250P6
		285W	280W	275W	270W	265W	260W	255W	250W
Maximum Power	Pm(W)	289.9	284.9	279.9	274.9	269.9	264.9	259.9	254.9
Tolerance	(%)	± 1.5	± 1.5	± 1.5	± 1.5	± 1.5	± 1.5	± 1.5	± 1.5
Open Circuit Voltage	Voc(V)	44.21	44.06	43.92	43.70	43.27	43.20	43.20	43.13
Short Circuit Current	Isc(A)	8.32	8.23	8.17	8.10	7.95	7.83	7.72	7.60
Maximum Power Voltage	Vm(V)	36.79	36.72	36.58	36.43	36.14	35.93	35.71	35.57
Maximum Power Current	Im(A)	7.75	7.63	7.52	7.41	7.33	7.24	7.14	7.03
Module Efficiency	(%)	14.61	14.35	14.09	13.84	13.58	13.33	13.07	12.81
Solar Cell Efficiency	(%)	16.37	16.12	15.87	15.62	15.12	14.87	14.62	14.37
Cell Type	(mm)	156×156 (Poly-Crystalline Silicon)							
Number of Cells	(Pcs)	72							
Maximum System Voltage	(V)	DC1000							
Temp. Coeff. of Voc	(%/°C)	-0.32							
Temp. Coeff. of Isc	(%/°C)	0.04							
Temp. Coeff. of Pm	(%/°C)	-0.35							
Operating Temperature	(°C)	-40 to 85							
Nominal Operating Cell Temperature(NOCT)	(°C)	45±2							
Max.Series Fuse	(A)	15							
Insulation	(MΩ)	50							
Wind Bearing	(Pa)	≤5400							
Pressure Bearing	(Pa)	≤2400							

STC(Standard Test Conditions): 1000W/m² AM=1.5 25°C

SR MODULE

SR-285P6 SR-280P6 SR-275P6 SR-270P6 SR-265P6 SR-260P6 SR-255P6 SR-250P6

PHYSICAL CHARACTERISTICS Unit:mm



Dimensions	(mm)	1958×992×48
Weight	(kg)	22.9

Packing Configuration	2 pcs/carton
Quantity/Pallet	36 pcs/pallet
Loading Capacity	180 pcs/20ft container
	396 pcs/40ft container

ELECTRICAL CHARACTERISTICS

